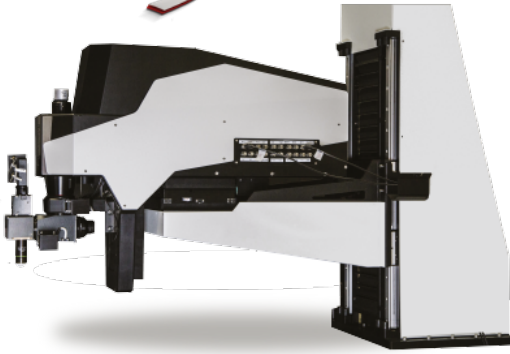




FEMTO-S BRIDGE SPECTROMETERS

FEMTOS
BRIDGE



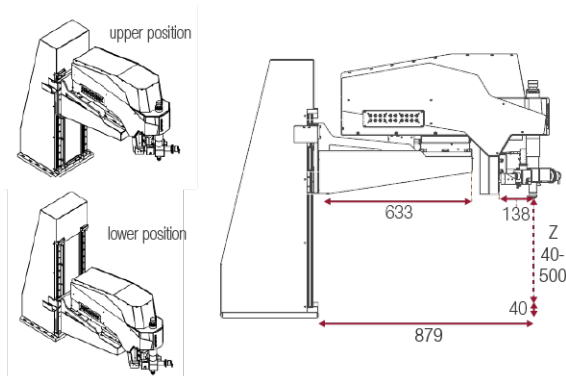
Special microscopes : custom designed two-photon microscope from our partner Femtonics.

Femto-S Bridge is a special edition of the FemtoSmart microscope which is manufactured to have for extreme freedom in positioning of the body. It involves all advantages of the FemtoSmart series but it is extended to studies which need huge place for the sample or accessories therefore allowing functional brain imaging in head fixed mice navigating in a virtual reality environment.

Beside of the large movement established by the elevator, the fine motions can be supported by the objective holding arm in a 50 mm range of Z direction. The piezo objective positioner allow the movement of the objective with fast Z positioning in several hundred micrometers ranges. An XY actuator can move the body relative to the column in X and Y direction (+/-25 mm range, step size: 1 μ m). Finally our tilting objective can further increase the accessibility to the side parts of the sample.

The Elevator

In this FemtoS Bridge microscope, the foot is replaced with a lifting apparatus that provides an adjustable space between the microscope base and the top lens of the objective. The role of the modified elevating foot is to move the head along vertical direction. The moving range is 50 cm, the coarse Z-adjustment along the column is 1 mm. This elevator is situated outside of the workplace allowing an enlarged place below the Smart head. We provide the optimal combination of multiple height and working distance choices to address most animal models.



Applications

- Useful for in vivo experiments
- Intravital imaging
- Deep brain imaging in rodents or even non-human primates

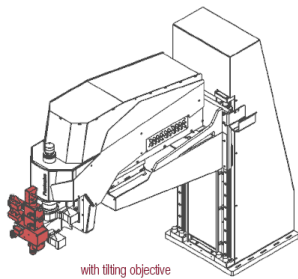
Features

- Flexible objective positioning with high precision
- Backlash-free, highly stable in all positions
- Minimized optical path to the detectors equipped to the tilting unit
- 40% higher SNR as compared to other solutions
- Green lamp included
- Changeable filter set prior to detectors
- Accepts both conventional and large back aperture objectives

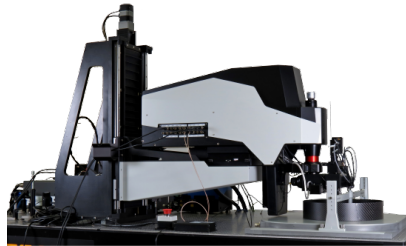
Specifications

ELEVATOR	
Moving range	50 cm
Coarse Z-adjustment along the column	1 mm
FINE MOTIONS	
Objective holding arm	50 mm range (Z direction)
Piezo objective positioner	Fast Z positioning in several hundred micrometers ranges
XY actuator moves	relative to the column in X and Y direction (± 25 mm range, step size: 1 μ m)
Tilting objective	YES (> the accessibility to the side parts of the sample)
MODULARITY	
Optional features	Upon request
Laser beam	One or two (Femtosecond, two-photon laser)
Scanner configuration	Galvano, resonant or dual
VERSATILITY	
Large choice of height permutations	

femtos bridge tilting objective



femtos_bridge_ versatility



Related products

- FemtoSmart



T. +33 (0)2 96 05 40 20
F. +33 (0)2 96 05 40 25



21 rue de Broglie
22300 Lannion / France



info@idil.fr
www.idil.fr



Fiber optics & Components



Lasers & Amplifiers



Optoelectronic systems



Fiber sensors



Spectroscopy & Microscopy



Education systems